



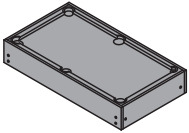


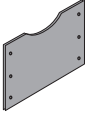
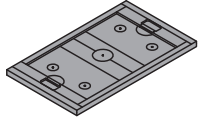
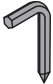



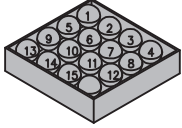
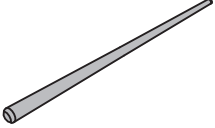


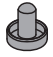

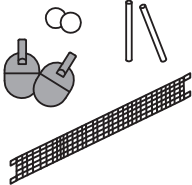

# WARNING

1. Check that you have all the parts listed below and familiarise yourself with each part before proceeding. Ensure you have enough space before assembling.
2. To be assembled by an adult only.
3. This product is not suitable for children under 3 years old due to small parts which may represent a choking hazard
4. Please retain this information for future reference.
5. To avoid danger of suffocation, keep packaging away from babies and children.

6. To be used under the direct supervision of an adult.
7. Do not aim at eyes or face.
8. Please ensure correct disposal of product as it could represent a suffocation hazard.



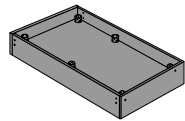
**WARNING**  
Choking Hazard  
This item contains small parts, not suitable for children under 3 years.

 <p>1. Mainframe X (1pc)</p>	 <p>2. Left Leg X (2pcs)</p>	 <p>3. Right Leg X (2pcs)</p>	 <p>4. End Leg Brace X (2pcs)</p>	 <p>5. TT/Hockey Playfield X (1pc)</p>
 <p>6. Allen Key X (1pc)</p>	 <p>7. 6X30MM Bolt X (12pcs)</p>	 <p>8. 3.5X12MM Washer Head Screw X (12pcs)</p>		 <p>9. Scorer X (2pcs)</p>
 <p>10. Pool Balls X (1set)</p>	 <p>11. Cue Stick X (2pcs)</p>	 <p>12. Chalk X (2pcs)</p>	 <p>13. Triangle X (1pc)</p>	
 <p>14. Hockey Pusher X (2pcs)</p>	 <p>15. Hockey Puck X (2pcs)</p>	 <p>16. Table Tennis Set X (1pc)</p>	 <p>17. Cardboard Leg Leveller X (8pcs)</p>	

Find a clean, level place to begin the assembly of your games table.

We recommend assembling the table on the box top to protect the parts during assembly

**WARNING: TWO ADULTS NEEDED TO ASSEMBLE THE GAMES TABLE**



1. Mainframe X (1pc)



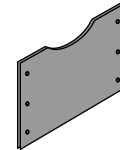
2. Left Leg X (2pcs)



3. Right Leg X (2pcs)



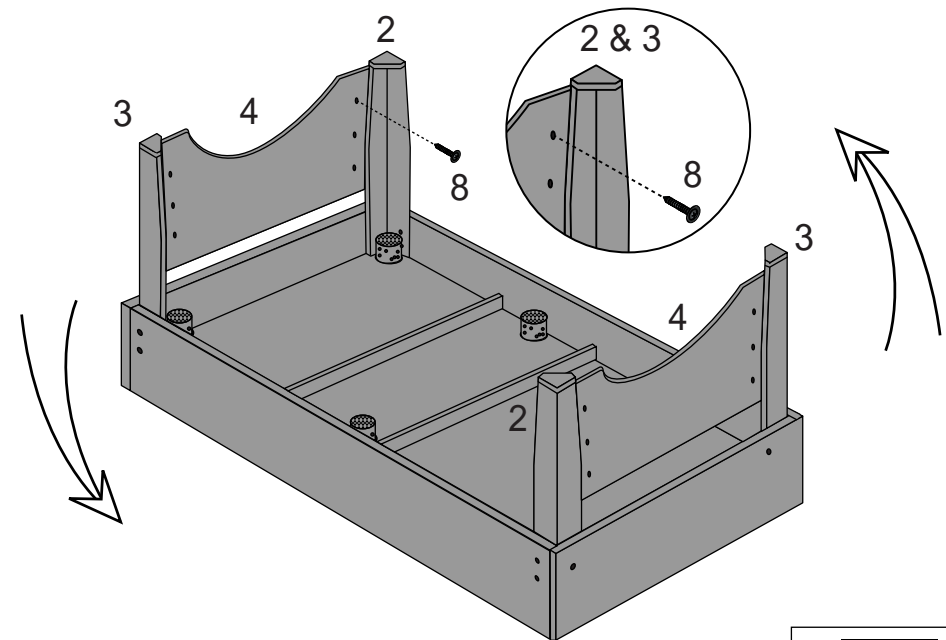
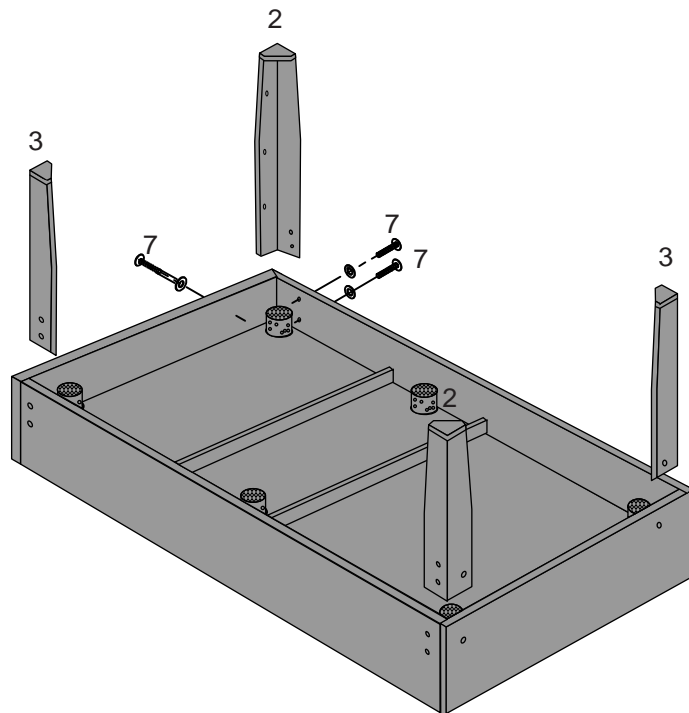
7. 6X30MM Bolt X (12pcs)



4. End Leg Brace X (2pcs)



8. 3.5X12MM Washer Head Screw X (12pcs)



**Turn over the table with two adults (please see caution on the next page)**



**CAUTION:**

1. Two adults are recommended to turn the table as shown.
2. Take hold of the table on the ground
3. Turn table over.
4. Place it on all four feet at the same time on the ground.



You can use the cardboard leg levellers (17) to ensure your playing surface is level.

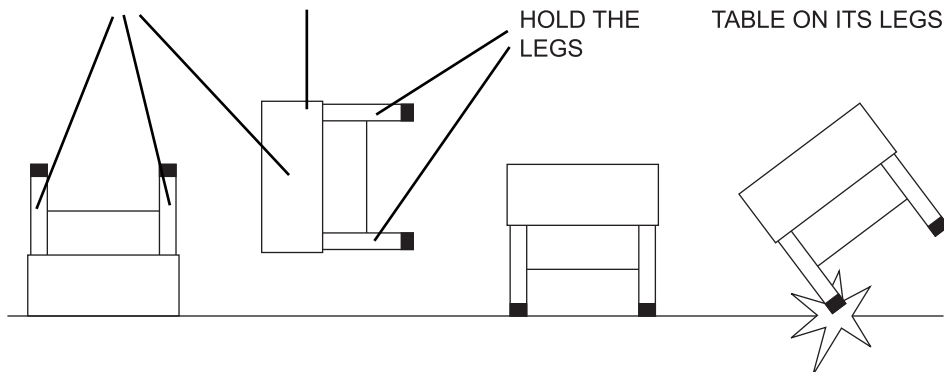


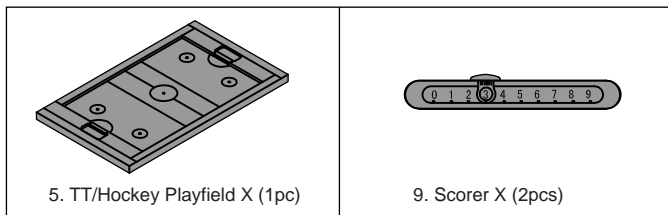
HOLD TABLE

CABINET

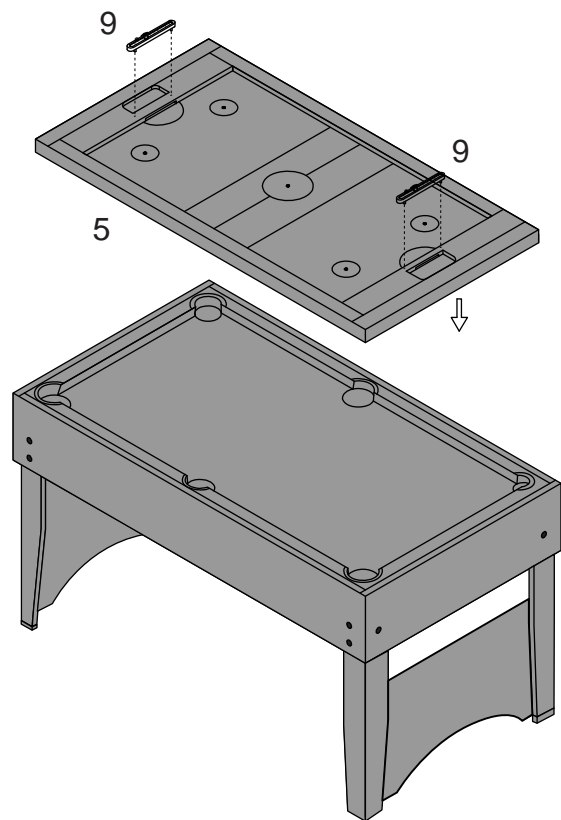
DO NOT  
HOLD THE  
LEGS

DO NOT LEAN THE  
TABLE ON ITS LEGS!





Push air hockey assembly instructions.



You can use the cardboard leg levellers (17) to ensure your playing surface is level.



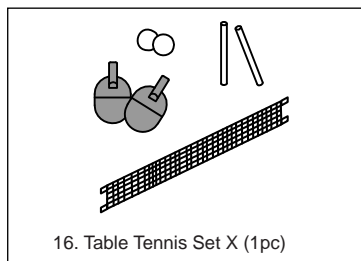
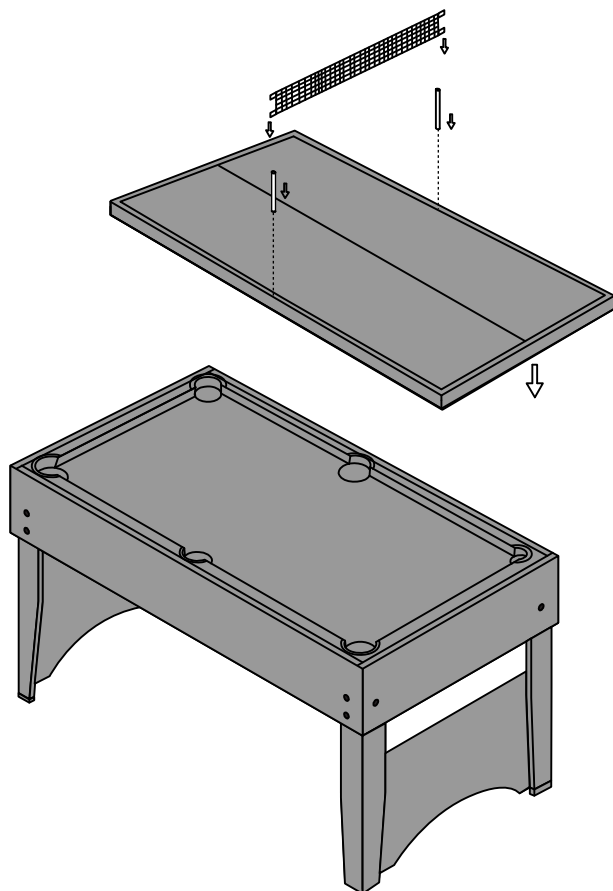


Table tennis assembly instructions.



You can use the cardboard leg levellers (17) to ensure your playing surface is level.

